

- Any inductive load may require EMI protection via suppressors
- Inductive loads include relay/contactor coils, solenoids, motors,
- Wire suppressors in parallel to load, as close to load as practical
- Alternatively, wire across relay contacts
- DC applications: use rectifier diode (e.g. 1N4001), wired reverse-biased (shown protecting relay coils below)
- AC applications: use varistor (e.g. MOV), R-C network (e.g. snubber), or both

Fig 1. Diode for DC coil and MOV parallel to load.

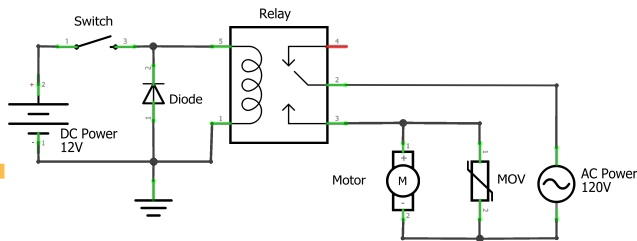


Fig 2. Diode for DC coil and MOV across contacts.

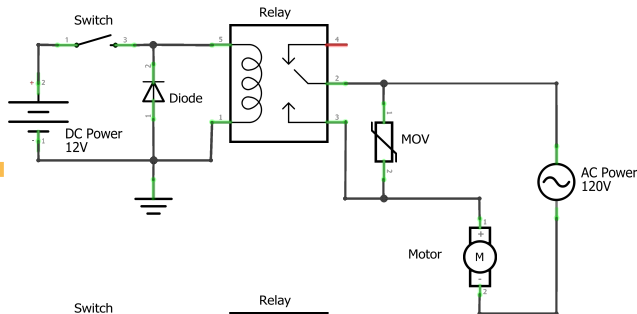


Fig 3. Diode for DC coil and RC network parallel to load.

